



XP-701 & XP-101

ETHERNET EXTENDER WITH REMOTE POE



Description

XP-701 is a Long Reach Ethernet extender that carries both Ethernet traffic and POE supply on a twisted pair or coax cable over distances up to 800 or 1,000 meters.

This solution provides two benefits

- ⇒ Extend the Ethernet link above standard CAT-5 / CAT-6 standard limits
- ⇒ Deliver the POE power supply remotely when no power source is available at point of service

XP-701 brings many advantages for easy integration and fast time to service in any environment thanks to its compact form factor almost as small as a business card. XP-701 comply with the railway EN-50121-4 standard and it can be installed in any transport or smart-city network.

XP-701 is easy to install with automatic operation. Three DIP switches give control on the 10/100Mbps speed, on the POE supply and the Link-Pass-Through remote alarm.

Applications

XP-701 is very well suited to connect POE devices where there is no power source. The POE supply comes from the master XP-701 that feeds the remote XP-101 and the remote POE device such an IP camera or similar system.

Many applications benefit from this POE Ethernet extender

- ◇ IP cameras
- ◇ Wi-Fi Access Points
- ◇ Information display
- ◇ Alarm and monitoring
- ◇ Voice over IP etc.

ETHERNET EXTENDER

800m over CAT-6
1,000m over Coax

REMOTE POE

POE transport
over the line

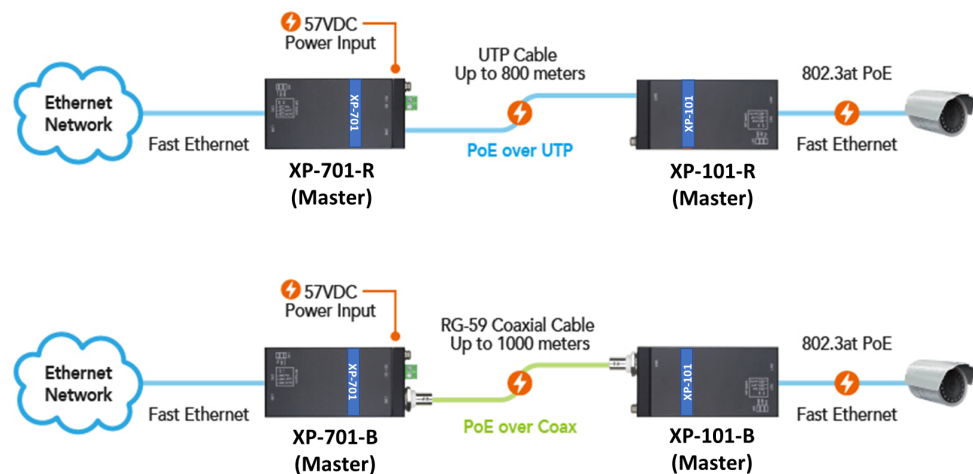
RUGGEDIZED

EN-50121-4

COMPACT

94x47x26mm

PLUG & PLAY



Specifications

	XP-701-R	XP-101-R	XP-701-B	XP-101-B
Ethernet interface	RJ45 10/100BaseT	RJ45 10/100BaseT POE PSE 802.3af/at	RJ45 10/100BaseT	RJ45 10/100BaseT POE PSE 802.3af/at
Line interface	RJ45 802.3 / 802.3u POE PSE	RJ45 802.3 / 802.3u POE PD	BNC 75 Ohms	BNC 75 Ohms
Power input	55-57 Vdc Screw bloc	Remotely from the line	55-57 Vdc Screw bloc	Remotely from the line
Configuration	3 DIP-switches : POE control, 10/100 Mbps speed control, Link-Pass-Through			
Power consumption	< 3 W			
Dimensions WxDxH	47 x 94 x 26,5 mm			
Operating temperature	-40 to +75 °C			
Compliance	CE, EN-62368, EN-6000-4-5, EN-50121-4			

XP-701-R	Cat-6 2 pairs		Cat-6 4 pairs	
Distance	Eth speed	POE budget	Eth speed	POE budget
200 m	100 Mbps	30,0 W	100 Mbps	30 W
300 m	100 Mbps	23,2 W	100 Mbps	30 W
400 m	100 Mbps	16,9 W	100 Mbps	30 W
500 m	100 Mbps	13,1 W	100 Mbps	28.3 W
600 m	10 Mbps	10,6 W	10 Mbps	23.2 W
800 m	10 Mbps	7,5 W	10 Mbps	16.9 W

XP-701-B	COAX AWG-22		COAX AWG-18	
Distance	Eth speed	POE budget	Eth speed	POE budget
200 m	100 Mbps	30,0 W	100 Mbps	30 W
300 m	100 Mbps	30,0 W	100 Mbps	30 W
400 m	100 Mbps	22,4 W	100 Mbps	29,3 W
500 m	100 Mbps	17,5 W	100 Mbps	22,9 W
600 m	10 Mbps	14,3 W	10 Mbps	18,6 W
800 m	10 Mbps	10,2 W	10 Mbps	13,2 W
1 000 m	10 Mbps	7,8 W	10 Mbps	9,9 W

Ordering information

Reference	Type	Line interface	Master / Remote
XP-701-R	Ethernet extension over CAT6 twisted pairs	RJ45 2/4 pairs	Master
XP-101-R	Ethernet extension over CAT6 twisted pairs	RJ45 2/4 pairs	Remote
XP-701-B	Ethernet extension over COAX cable	COAX	Master
XP-101-B	Ethernet extension over COAX cable	COAX	Remote



CXR
T +33 - 2 37 62 87 90
www.cxr.com

17 Rue de l'Ornette 28410 Abondant France
contact@cxr.com