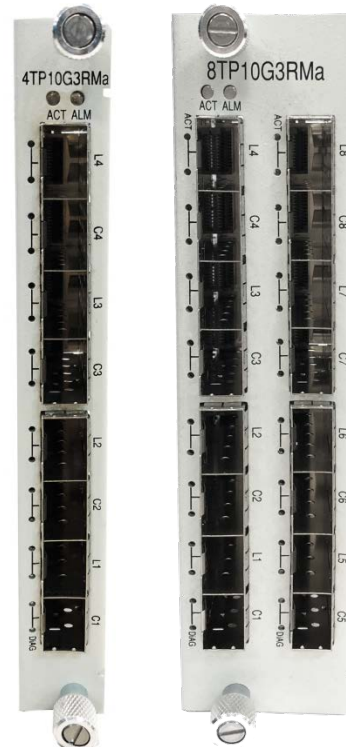


TRANSPONDER MODULES FOR WDM1800

Features

- Up to 8 user channels
- Data rate: 1.25~10G
- Support 3R (re-timing, re-shaping, and re-amplifying) optical generation
- One user channel can be reserved for OSC
- Signal type and the bit rate of the client interface can be configured manually up to 10G
- Performance monitoring is available on each interface



Left: 4-Port Transponder
Right: 8-Port Transponder

Description

The transponder for WDM1800 is designed to support up to 10G Ethernet. The signal type and bit rate of the client interface are multi-rate. It provides up to eight users channels. The transponder is apply to CWDM and DWDM networks. The implemented 3R optical generation (re-amplification, re-shaping, re-timing) is use for signal processing.

In optical communication like relay amplification, signal regeneration, optical signal wavelength conversion, and single-mode conversion, the trasponder card is extensively used in this field. Applied with WDM1800, the transponder card supports local control and diagnostics by using a VT-100 terminal connected to the console port, and Ethernet and SFP ports for Web, Telnet, SSH, and SNMP v1/v3 management as well.

Ordering Information

To specify options, choose from the list below.

Model	Description	Notes
Single Slot Plug-in Module		
WDM1800-4TP10G3RMa	4-Port Transponder module with 10G Network Interface. Support 3R optical regeneration. Support multi-rate client interface.	Please order SFP optical modules from a separate SFP optical brochure.
Dual Slot Plug-in Module		
WDM1800-8TP10G3RMa	8-Port Transponder module with 10G Network Interface. Support 3R optical regeneration. Support multi-rate client interface.	Please order SFP optical modules from a separate SFP optical brochure.

Accessories

SFP Optical Modules

Please place your order using the codes listed in the separate SFP Optical Module Brochure.

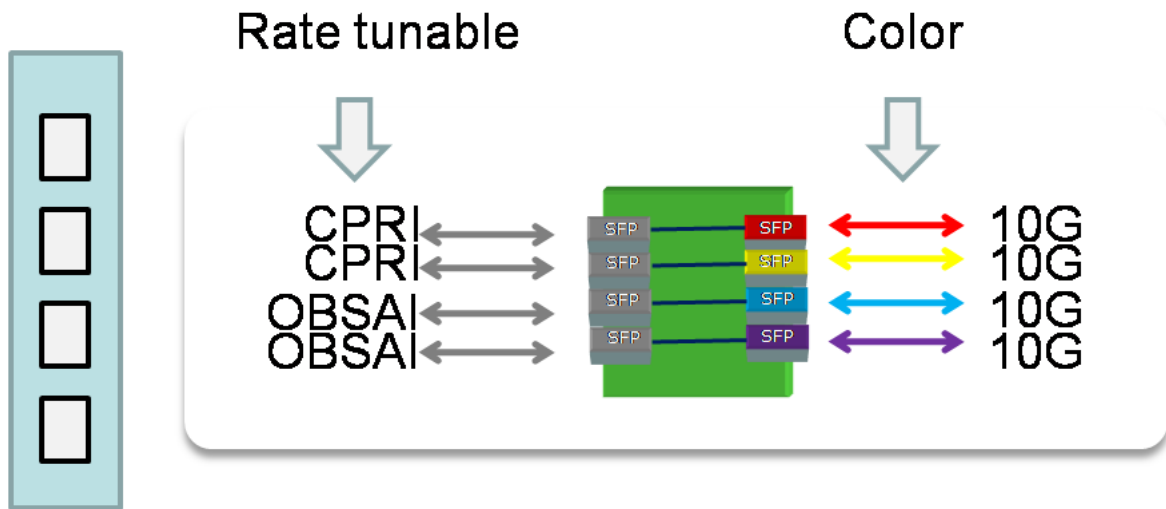
NOTE: Non-CXR SFP modules are not guaranteed to work with our equipment. It is strongly recommended to buy CXR logo SFP modules.

Transponder Modules for WDM1800 Product Specifications

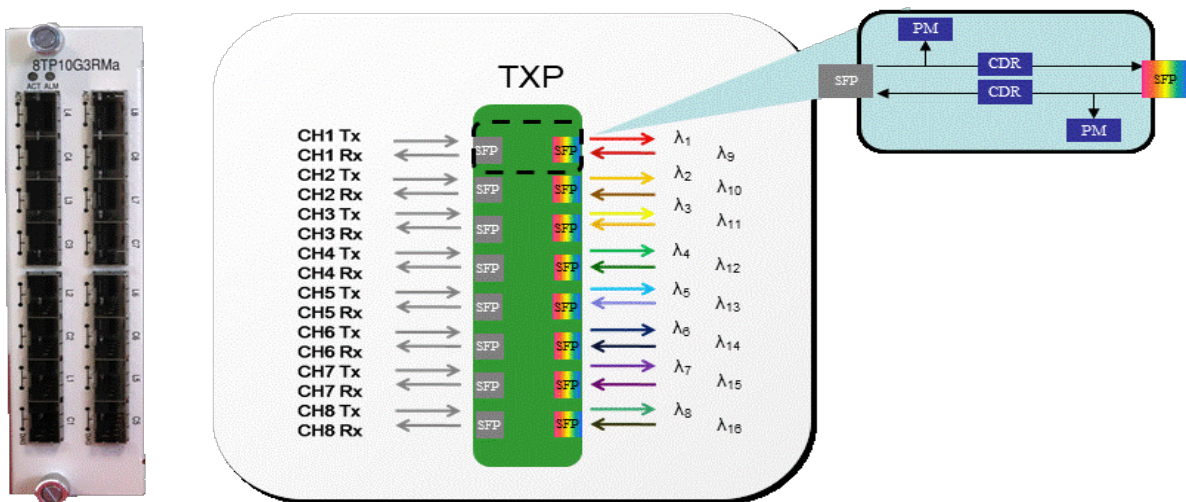
Module	Power Consumption (Watt)
4-Port Transponder (without SFP modules)	8.1
8-Port Transponder (without SFP modules)	14.1
SFP (No link)	0.75
SFP (Linked up)	1.28

Number of client/network ports	8-TP: 8 4-TP: 4
Port for remote management	8-TP: port 8 4-TP: port 4
Data Rate	1.25G ~ 10G
CPRI	Options 3 (2.4576 Gbps), 4(3.072 Gbps),6(6.144 Gbps), 7
OBSAI	(9.8304 Gbps), 8 (10.1376 Gbps) 3.072 Gbps, 6.144 Gbps
Ethernet	1G/10G
User define	1.25G ~ 10.3125G (without performance monitor)
Type	SFP+
3R Regeneration	Re-Amplification, Re-Shaping, and Re-timing
Performance Monitoring	CV, ES, BES, SES, UAS on Client and Network Ports
SyncE and 1588v2	Transparent transport
Maximum round-trip latency	2.5 μ s
Transmitter power range	
Transmitter wavelength range	Vary depending on the SFP+ module used. Please refer the
Receiver wavelength range	separate SFP Optical Module Brochure for details.
Receiver dynamic range	

Application Illustration



Note: The color is not tunable. It needs to apply with different SFP modules.



CXR
 T +33 (0) 237 62 87 90 contact@cxr.com
www.cxr.com

Rue de l'Ornette 28410 Abondant France