



# BI-DIRECTIONAL WAVELENGTH MUX/DEMUX FOR WDM1800

## Features

- Support CWDM or DWDM technology
- Available in 8 to 16\* channels Bi-directional Mux/Demux
- Flexibility through pluggable optics
- Low optical insertion loss
- High stability and reliability



## Description

Bi-directional wavelength Mux/Demux module allows multiple optical signals at different wavelengths to pass through a single optical fiber strand. The product is designed to integrate conveniently with WDM1800. It is a highly flexible multiplexer and supports from 8 to 16\* channels in CWDM or DWDM technology. CWDM and DWDM technology expands network bandwidth capacity without the cost of expanding the fiber cable infrastructure.

The Mux/Demux module uses advanced optical grating components to combine and separate the wavelengths. The CWDM Mux/Demux module is available from 4 to 8\* ports with dual path channels and a bypass band. And the optical insertion loss is lower than 2.2 dB. Applied with WDM1800, the module is capable to support local control and diagnostics by using a VT-100 terminal connected to the console port, and Ethernet and SFP ports for Web, Telnet, SSH, and SNMP v1/v3 management as well.

\*Future Option

## Ordering Information

To specify options, choose from the list below.

Model	Description	Notes
<b>Single Slot Plug-in Module</b>		
WDM1800-4CMDBAa	4-port (8-ch) Bi-directional wavelength Mux/DeMux type A, supports CWDM where channel #1 ~ #8 stands for different wavelength. Optical Link Protection not supported	Channel wavelength List: <ul style="list-style-type: none"> <li>#1~#4 : 1270/1290/1310/1330</li> <li>#5~#8 : 1550/1570/1590/1610</li> </ul>
WDM1800-4CMDBBa	4-port (8-ch) Bi-directional wavelength Mux/DeMux type B supports CWDM where channel #1 ~ #8 stands for different wavelength. Optical Link Protection not supported.	Channel wavelength List: <ul style="list-style-type: none"> <li>#1~#4 : 1550/1570/1590/1610</li> <li>#5~#8 : 1270/1290/1310/1330</li> </ul>
WDM1800-4DMDBAa	4-port (8-ch) Bi-directional wavelength Mux/DeMux type A, supports DWDM where channel #1 ~ #8 stands for different wavelength.	Channel wavelength List: <ul style="list-style-type: none"> <li>#1~#4: 1530.33/1531.12/1531.90/1532.68</li> <li>#5~#8: 1554.94/1555.75/1556.55/1557.36</li> </ul>
WDM1800-4DMDBBa	4-port (8-ch) Bi-directional wavelength Mux/DeMux type B supports DWDM where channel #1 ~ #8 stands for different wavelength.	Channel wavelength List: <ul style="list-style-type: none"> <li>#1~#4: 1554.94/1555.75/1556.55/1557.36</li> <li>#5~#8: 1530.33/1531.12/1531.90/1532.68</li> </ul>
<b>Dual Slot Plug-in Module</b>		
WDM1800-8CMDBASWa*	8-port (16-ch) Bi-directional wavelength Mux/DeMux type A, supports CWDM where channel #1 ~ #16 stands for different wavelength. Supports Optical Link Protection with built-in optical switch.	Channel wavelength List: <ul style="list-style-type: none"> <li>#1~#8 : xxxx, xxxx, xxxx, xxxx, xxxx, xxxx, xxxx, xxxx</li> <li>#9~#16 : yyyy, yyyy, yyyy, yyyy, yyyy, yyyy, yyyy, yyyy</li> </ul>
WDM1800-8CMDBBSPa*	8-port (16-ch) Bi-directional wavelength Mux/DeMux type B, supports CWDM where channel #1 ~ #16 stands for different wavelength. Supports Optical Link Protection with optical splitter.	Channel wavelength List: <ul style="list-style-type: none"> <li>#1~#8 : yyyy, yyyy, yyyy, yyyy, yyyy, yyyy, yyyy, yyyy</li> <li>#9~#16 : xxxx, xxxx, xxxx, xxxx, xxxx, xxxx, xxxx, xxxx</li> </ul>
WDM1800-8DMDBASWa*	8-port (16-ch) Bi-directional wavelength Mux/DeMux type A, supports DWDM where channel #1 ~ #16 stands for different wavelength. Supports Optical Link Protection with built-in optical switch.	Channel wavelength List: <ul style="list-style-type: none"> <li>#1~#8 : xxxx, xxxx, xxxx, xxxx, xxxx, xxxx, xxxx, xxxx</li> <li>#9~#16 : yyyy, yyyy, yyyy, yyyy, yyyy, yyyy, yyyy, yyyy</li> </ul>
WDM1800-8DMDBBSPa*	8-port (16-ch) Bi-directional wavelength Mux/DeMux type B, supports DWDM where channel #1 ~ #16 stands for different wavelength. Supports Optical Link Protection with optical splitter.	Channel wavelength List: <ul style="list-style-type: none"> <li>#1~#8 : yyyy, yyyy, yyyy, yyyy, yyyy, yyyy, yyyy, yyyy</li> <li>#9~#16 : xxxx, xxxx, xxxx, xxxx, xxxx, xxxx, xxxx, xxxx</li> </ul>
WDM1800-4CMDBASWa*	4-port (8-ch) Bi-directional wavelength Mux/DeMux type A, supports CWDM where channel #1 ~ #16 stands for different wavelength. Supports Optical Link Protection with built-in optical switch.	Channel wavelength List: <ul style="list-style-type: none"> <li>#1~#4 : 1270/1290/1310/1330</li> <li>#5~#8 : 1550/1570/1590/1610</li> </ul>
WDM1800-4CMDBBSPa*	4-port (8-ch) Bi-directional wavelength Mux/DeMux type B, supports CWDM where channel #1 ~ #16 stands for different wavelength. Supports Optical Link Protection with optical splitter.	Channel wavelength List: <ul style="list-style-type: none"> <li>#1~#4 : 1550/1570/1590/1610</li> <li>#5~#8 : 1270/1290/1310/1330</li> </ul>
WDM1800-4DMDBASWa*	4-port (8-ch) Bi-directional wavelength Mux/DeMux type A, supports DWDM where channel #1 ~ #16 stands for different wavelength. Supports Optical Link Protection with built-in optical switch.	Channel wavelength List: <ul style="list-style-type: none"> <li>#1~#4 : 1530.33/1531.12/1531.90/1532.68</li> <li>#5~#8 : 1554.94/1555.75/1556.55/1557.36</li> </ul>
WDM1800-4DMDBBSPa*	4-port (8-ch) Bi-directional wavelength Mux/DeMux type B, supports DWDM where	Channel wavelength List:

	channel #1 ~ #16 stands for different wavelength. Supports Optical Link Protection with optical splitter.	<ul style="list-style-type: none"> <li>• #1~#4 : 1554.94/1555.75/1556.55/1557.36</li> <li>• #5~#8 : 1530.33/1531.12/1531.90/1532.68</li> </ul>
--	---	--

\*Future option

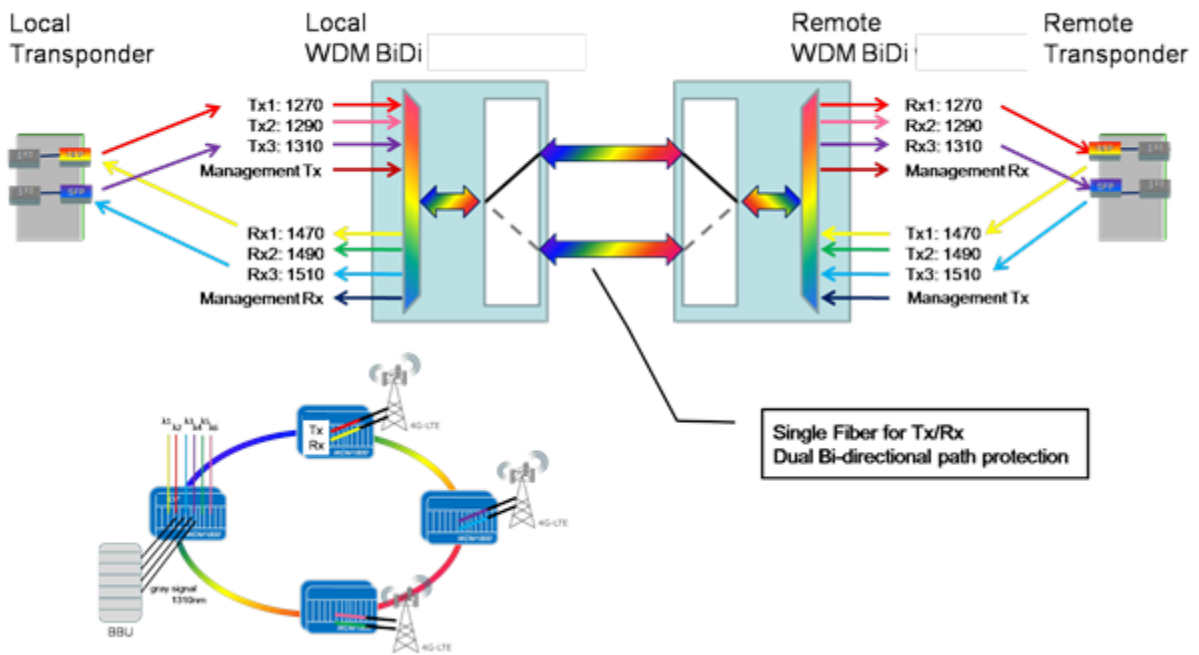
## Product Specifications

Module	Power Consumption (Watt)
CWDM Type A	2.1
CWDM Type B	2.1
DWDM Type A	2.1
DWDM Type B	2.1

### Wavelength-Division Multiplexing (WDM)

Number of Client Ports	8
Insertion Loss	≤ 2.2 (Connector is not included)
Directivity	Bidirectional
Polarization Dependent Loss	≤ 0.2 dB
Optical Return Loss	≥ 45 dB
Optical Transmission power	≤ 500 mW
Isolation (Adjacent Group)	≥ 30 dB
Isolation (Non-Adjacent Group)	≥ 40 dB
Optical connector type	LC

# Application Illustration



CXR  
 T +33 (0) 237 62 87 90 contact@cxr.com  
 www.cxr.com

Rue de l'Ornette 28410 Abondant France