



VCL-2728

OPTICAL IRIG-B_1PPS DISTRIBUTION SOLUTION

Introduction:

VCL-2728 is a comprehensive 1PPS/IRIG-B over multi-mode optical fiber distribution solution which comprises of two units VCL-2728-T and VCL-2728-R.



VCL-2728-T, 1PPS/IRIG-B - Transmitter: converts a “1PPS/ IRIG-B Input” and transmits over a 850nm multi-mode optical fiber.

VCL-2728-R, 1PPS/IRIG-B - Receiver: receives a “Optical 1PPS/IRIG-B Input” over 850nm multi-mode optical fiber and converts the optical input to 4 x 1PPS / 4 x IRIG-B BNC outputs.

The VCL-2728-R may also be used in conjunction with either VCL-2728-T; VCL-2486-G or with VCL-2486-I units to transmit and distribute a 1PPS/IRIG-B signal over 850nm multi-mode optical fiber links.

Features and Highlights:

- Nanosecond accuracy output referenced to the optical 1PPS / IRIG-B Input
- Transparent to Optical 1PPS / IRIG-B Input
- Output shall be phase-synchronized to the input
- Up to 4 x IRIG-B / 1PPS Outputs
- 48V DC or AC Power Supply options.

VCL-2728-T Inputs:

Input Type	Number of Inputs	Connector
1PPS / IRIG-B Pulse	1	BNC

VCL-2728-T Outputs:

Output Type	Number of Outputs	Connector
Optical 1PPS / IRIG-B	1	ST

VCL-2728-R Inputs:

Input Type	Number of Input	Connector
Optical 1PPS / IRIG-B	1	ST

VCL-2728-R Outputs:

Output Type	Number of Outputs	Connector
IRIG-B / 1PPS	4	BNC

Conversions Parameters:

- Delay / Offset < 80ns
- 1PPS accuracy +/-2ns

Power Input and Consumption:

- 15V DC to 60V DC (48V DC nominal)
- < 10W at ambient (steady state 24°C)

Power Supply Options:

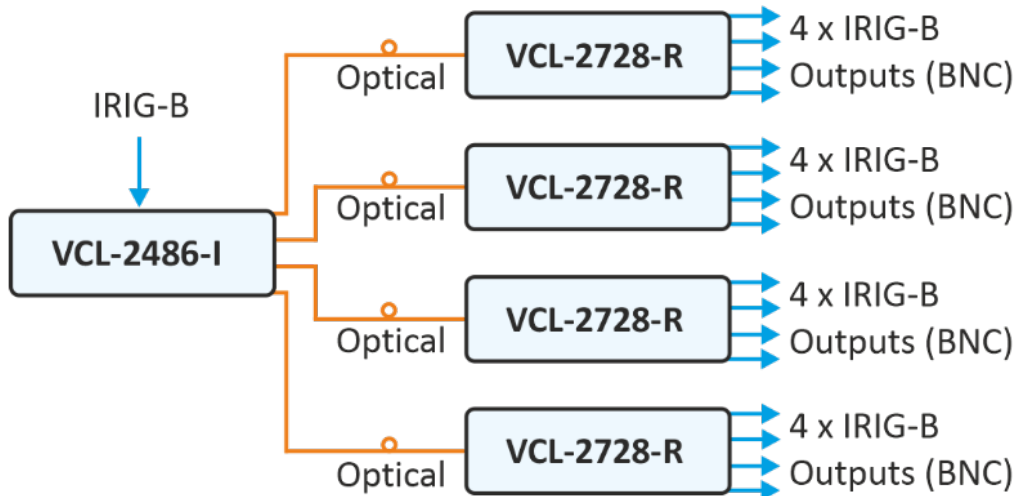
- 24V DC / 48V DC
- AC (100V AC to 240V AC, 50/60 Hz) to 24V DC - External Adapter
- 110V DC / 220V DC to 24V DC - External Adapter

Block Diagram - VCL-2728-T:**Block Diagram - VCL-2728-R:**

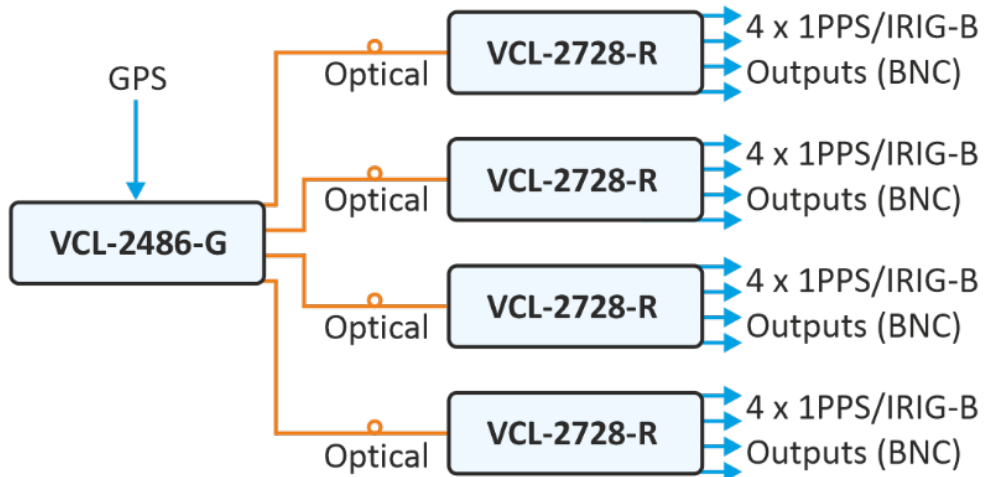
Application Diagram # 1:



Application Diagram # 2:



Application Diagram # 3:



Environmental (Equipment):

- Operational -10°C to +60°C (Typical: +25°C)
- Cold start 0°C
- Storage -20°C to +70°C
- Humidity 95% non-condensing
- Cooling Convention Cooled.
- No cooling fans are required.

Regulatory Compliance:

- RoHS
- CE Marking
- Complies to IEEE and IEC standards
- Transportation ETS 300 019 Class 2.3

Standards & Compliance:

- IEC - EMC – Certified to EN 55032: 2005 / CISPR 32 Class A, EN 55024:2005, IEC 61000-4-2
- CE – 2001/95/EC, 2006/95/EC, EN60950-1, EN61000-6-2, EN61000-6-4
- FCC – FCC Part 15 Class A: Conducted Emission test on Power Line
- FCC Part 15 Class A: Radiated Emission >1 GHz FCC, 6 GHz, on Power Line.

Ordering Information:

Base Unit:

Part No.	Description
VCL-2728-T	VCL-2728-T 1PPS/IRIG-B Transmitter 1 x 1PPS/IRIG-B Input (BNC) 1 x 1PPS/IRIG-B Optical Output (ST) DIN Rail Installation Kit includes Mounting Hardware, Documentation, User Manual
VCL-2728-R	VCL-2728-R 1PPS/IRIG-B Receiver 1 x Optical (1PPS/IRIG-B Input - ST) 4 x 1PPS/IRIG-B Outputs (BNC) DIN Rail Installation Kit includes Mounting Hardware, Documentation, User Manual
Add Optional External Adaptor (if required):	
AC	100V AC to 240V AC, 50/60 Hz) to 24V DC External Adapter
DC	110V DC / 220V DC to 24V DC External Adapter



CXR
T +33 2 37 62 87 90
www.cxr.com

17 Rue de l'Ornette 28410 Abondant France
contact@cxr.com

Smart Solutions for Smart Networks

Information contained in this document is not contractual. CXR improves its products continuously. Specifications may change without notice.