

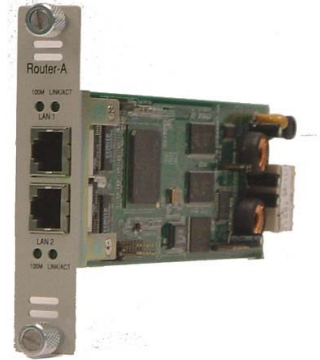
ROUTER A

Features

- 10/100 Base T interfaces
- Auto MDI/MDI-X crossover
- Routing protocol: RIP-I, RIP-II, OSPF (Open Shortest Path First) and static
- Remote bridge
- Software field upgradeable
- Supporting Protocols: PPP, [MLPPP](#), HDLC, Frame Relay, and Cisco compatible HDLC
- VLAN-ID mapping
- Up to 64 WAN ports with aggregate data rate of 4Mb/s
- Remote bridge support (padding/un-padding Ethernet FCS)
- Support of QoS (Quality of Service)

DESCRIPTION

CXR's Router-A card is designed for the CXR-QX3440 series. It occupies one mini slot of the CXR-QX3440. When used within the CXR-QX3440, this card combines the function of a router and directs Ethernet traffic to/from multiple WAN channels. With this card, access from LAN to WAN is accomplished within one card, resulting in savings in cost and in space.



ORDERING INFORMATION

Model (RoHS compliant)	Description	Note
QX3440-RTA	64 WAN ports router/bridge card	For QX3440 and QX3440-S only.
Accessories		
User's Manual (All User's Manuals are RoHS compliant)		
CXR-QX3440-RTA-UM	Optional hard-copy (paper) User's Manual. A CD version of the manual is already included as standard equipment.	

PRODUCT SPECIFICATIONS

Physical Interface

Two 10/100BaseT interfaces
Up to 64 WAN ports
One mini slot of AM3440-A
Each interface can be configured as a bridge port or router port

WAN Interface

Up to 64 WAN ports
Each WAN port has data rate $n \times 64K$ bps, $1 \leq n \leq 32$ ($\leq 4Mbps$ for total of all 64 WAN ports)
Layer-two protocol: HDLC, PPP (IPCP/BCP/MLPPP), Frame Relay, Cisco compatible HDLC
Up to 64 Frame Relay PVCs

LAN Interface

Two 10/100BaseT interfaces
Auto MDI/MDI-X crossover
Speed auto-sensing
Half/full duplex auto-negotiation
Speed/duplex force mode

Router

Routing protocol: RIP-I, RIP-II, OSPF and static

NAT

NAT/NAPT
Static address table for NAT
Port forwarding table for NAPT (Virtual Service)

DHCP

DHCP server support for LAN users (RFC2131, RFC2132)
BOOTP compatible
DHCP relay

Access Control and Firewall

Policy based on
 Inbound/outbound direction
 Source/destination IP address
 Protocol types (ICMP, TCP, UDP, ...)
 Port number range
Up to 64 control lists
QoS based on rate limit

Remote Bridge

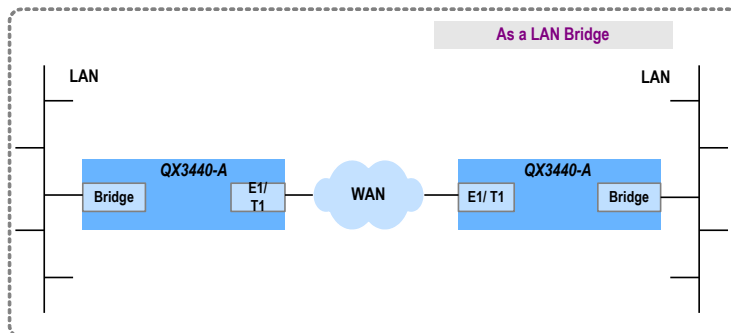
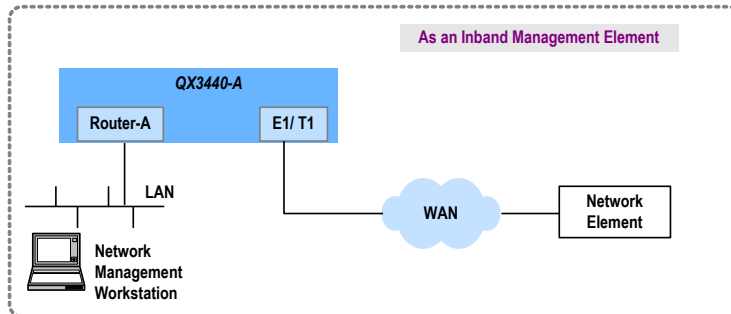
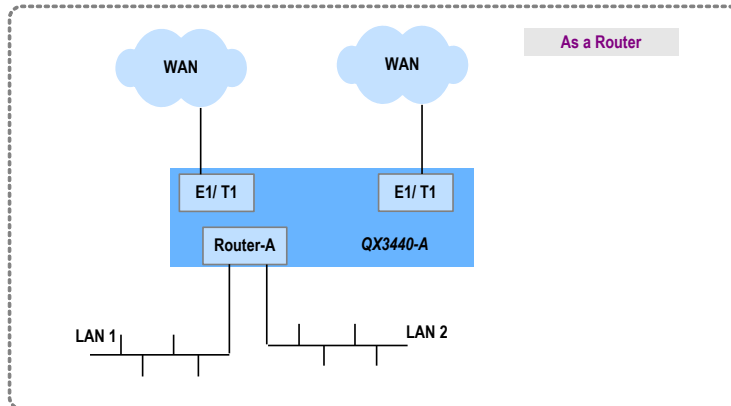
User configurable aging time
Up to 16K MAC table
Cisco ISL packet transparent
VLAN packet transparent
padding/un-padding Ethernet FCS
Rapid Spanning Tree Protocol support (IEEE 802.1w)
VLAN-ID mapping
MAC address based Policy
DHCP relay and server
Routing between bridge group and router interfaces

Diagnostics

Ping
Traceroute



APPLICATION ILLUSTRATIONS



Smart Solutions for
Smart Networks

www.cxr.com



CXR Anderson Jacobson
Rue de l'Omette
28410 Abondant - France

T +33 (0) 237 62 87 90
F +33 (0) 237 62 88 01
email: contact@cxr.com

The information contained in this document are provided without warranty and do not constitute a contractual document. In order to improve its products, CXR reserves its right to modify, without notice, any part of this document and the specification it contains.