



## 8RS232 INTERFACE CARD FOR QX3440

V1.2

### Features

- Supports X.50 division 2 and X.54
- Single slot
- Two card types:
- 8 RJ48 only card: 8 ports RS232 Async
- 2 RJ48 + 2 DB44 card: Up to 4 ports RS232 Sync + 4 ports RS232 Async
- LED status indicator
- Hot swappable
- Supports Async rates from 600 bps to 38400 bps
- Supports Sync rates from 600 bps to 64000 bps



### Description

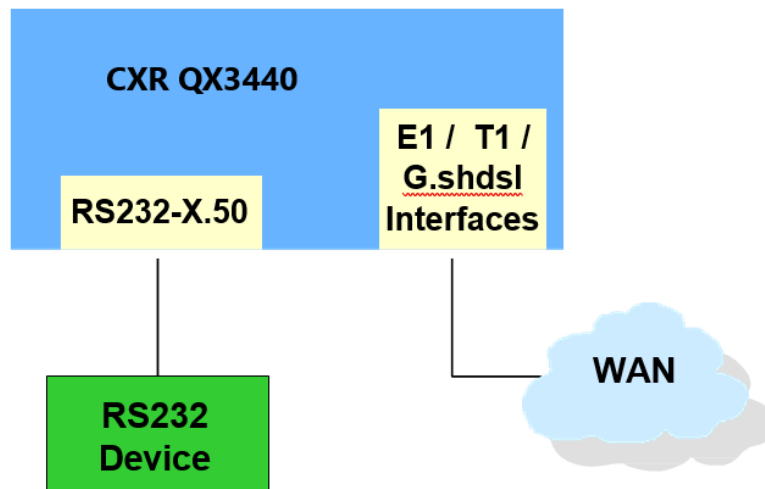
The 8RS232 interface card for QX3440 series has 8 interface ports. For the RJ version, 8 RJ48 connectors are available in Asynchronous/Sync mode. The sync mode method used is oversampling at 64 Kbps, the max data rate for each RJ48 is 19.2 Kbps only available in some ports. For the DB version, 2 RJ48 provide 2 ports and 2 DB44 connectors provide 3 ports each. Two cables are included. Each cable converts from DB44 connector to two DB25 and one DB9 connectors.

For asynchronous signals, the card can be used in either INDEPENDENT mode or MUX mode. In the INDEPENDENT mode, each of the 8 asynchronous ports up to 38.4 Kb/s rate, is assigned a separate 64 Kb/s channel. In the MUX mode, up to 5 ports, each up to 9.6 Kb/s, can share a single 64 Kb/s channel. The remaining 3 ports will be multiplexed to another 64Kb/s channel.

For synchronous signals only four of the ports can be used, leaving another 4 ports as asynchronous. In the INDEPENDENT mode, each of the 4 synchronous ports can be up to 64 Kb/s. The rest of the 4 asynchronous ports, each up to 38.4 Kb/s rate, is assigned a separate 64 Kb/s channel per port. In the MUX mode, the 4 synchronous ports, each up to 9.6 Kb/s, share a single 64 Kb/s channel. The other 3 asynchronous ports will be multiplexed to another 64Kb/s channel.

The 8RS232 interface card uses the multiplexing format defined in ITU-T X.50 Div.2 and in X.54 for rates below 64 Kbps. For 64 Kbps transport, standard RS232 format is used. In the INDEPENDENT mode when only one subrate signal is transported, the unused bandwidth is filled with "1s".

## Application Illustration



## Ordering Information

**Note:** Units are RoHS compliant units.

Model	Description	Notes
QX3440-8RS232-A	8 RS232 RJ45F Interface, asynchronous and 4 ports can be used in asynchronous by synchronous oversampling mode, QX3440 card, use 1 long slot	
QX3440-8RS232-DB	QX3440-8RS232-A4S, 8 RS232 (2 RJ45+ 2 DB44F) asynchronous and 4 synchronous for QX3440 supply with 2 x cable DB44M to 2 DB25F and DB9F 1m (CA-DB44M-2DB25F-DB15F-1)	

## 8RS232 Interface Card for QX3440 Series Product Specifications

### DTE Interface (RS232-X.50 mux. 8-port)

Data Port	Up to 8/-port RS232 cards							
MUX	Maximum 5 subrate port per 64K bps							
Data Rate	Mux mode		0.6k, 1.2K, 2.4K, 4.8K, 9.6K					
	Asynchronous		Independent mode					
			0.6k, 1.2K, 2.4K, 4.8K, 9.6K, 19.2K, 38.4K					
	Mux mode		0.6k, 1.2K, 2.4K, 4.8K, 9.6K					
	Synchronous		Independent mode					
	0.6k, 1.2K, 2.4K, 4.8K, 9.6K, 19.2K, 38.4K, 48K, 64K							
Card Type	Port Number							
	1	2	3	4	5	6	7	8
Eight RJ48	Aync/Sync <sup>1</sup>	Async/Sync <sup>1</sup>	Async	Async/Sync <sup>1</sup>	Async/Sync <sup>1</sup>	Async	Async	Async
Two DB44 +Two RJ48	Aync/Sync	Async/Sync	Async	Async/Sync	Async/Sync	Async	Async	Async
Connector	Eight RJ48 (port1 to port8) DB44 (port1, port2, port3), DB44 (port4, port5, port6), RJ48 (port7) and RJ48 (port8)							
Conversion Cable	A three-into-one conversion cable adapts the DD44 connector to 3 connectors (1xDB9S+ 2xDB25S)							
Electrical	RS232 Interface , DCE							

*Note1: Sync – with rate up to 19.2Kbps achieved by oversampling at 64Kbps*