



1 DTE INTERFACE CARD FOR QX3440 AND QX3440-E



QX3440-1DTE card for QX3440



QX34DD-1DTE for QX3440-E

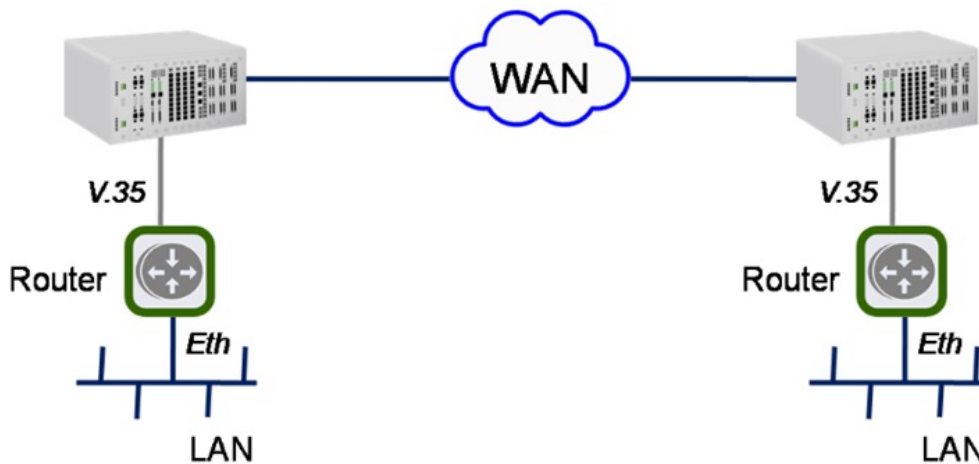
Features

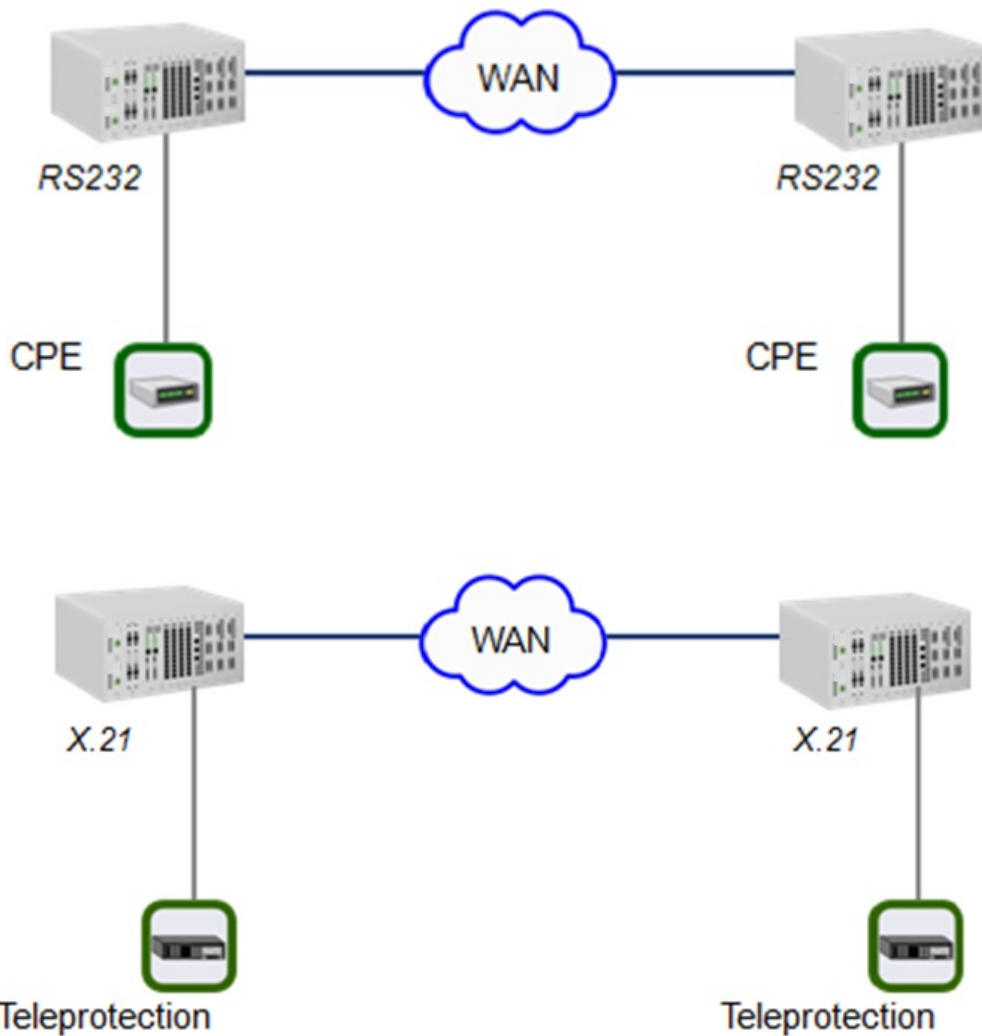
- 1-channel DTE plug-in cards for mini slot (V.35, X.21, RS232)
- Maximum data rate
 - V.35, and X.21 N x 56 or 64 kbps, N = 1 to 32
 - RS232: N x 56 or 64 kbps, N = 1 to 2
- Mapping to any sequential time slots
- Remote diagnostics

Description

CXR's 1-channel V.35 /RS232/X.21 plug-in cards are designed for the mini slot of QX3440 series. It allows multiplexing of N x 64 kbps data to multiples of DS0 time slots onto a digital network.

Application Illustrations





DTE Interface Product Specifications

DTE Interface (V.35)

Data Port	1
Data Rate	56 or 64 Kbps *n, n=1 to 32
Connector	DB25S (optional conversion cable DB25S to M34 connector)

DTE Interface (X.21)

Data Port	1
Data Rate	56 or 64 Kbps *n, n=1 to 32
Connector	DB125S

DTE Interface (RS232)

Data Port	1
Data Rate	56 or 64 Kbps *n, n=1 - 2
Connector	DB25S

Ordering Information

To specify options, choose from the list below.

Note 1: Units are RoHS compliant units.

Note 2: Before purchasing, please check the QX3440 main brochure to see if the following models are supported by the controller to use with..

Model	Description	Notes
QX3440-V35	1-channel V.35 plug-in card	- Work with controller version v8.41.01 and up for software download function. - This card can be used in QX3440 only
QX3440-X21	1-channel X.21 plug-in card	
QX3440-V24	1-channel RS232 plug-in card	
QX34DD-V35	1-channel V.35 plug-in card	- Work with controller version v8.41.01 and up for software download function. - This card can be used in QX3440-D/E
QX34DD-X21	1-channel X.21 plug-in card	
QX34DD-V24	1-channel RS232 plug-in card	

Accessories

Conversion Cable (RoHS compliant)

CIP6704-DB25M-1M34F	DB25 pin Male to M34 Female for V.35 Conversion cable Length: 30 cm	Used with QX3440-V35 and QX3440-V35 plug-in cards
---------------------	--	---