

POE-SOURCE-60W-1G

**60W SINGLE PORT 1G
POWER-OVER-ETHERNET
IEEE802.3BT POWER INJECTOR**



Features

- Compliant with IEEE802.3bt Standard
- 4 Pair Powering +3, 4, 5, 6/-1, 2, 7, 8
- Data rate 1G
- Non-Vented Case
- DoE Level VI Compliant
- ErP/Ecodesign Directive 2009/125/EC—Regulation EU 2019/1782 Compliant
- Full Protection OCP, OVP
- Limited Power Source (LPS)

Applications

- Ip telephones
- Wireless Network Access Points
- Security Cameras
- Bluetooth® Access Points
- WiMAX® Access Points

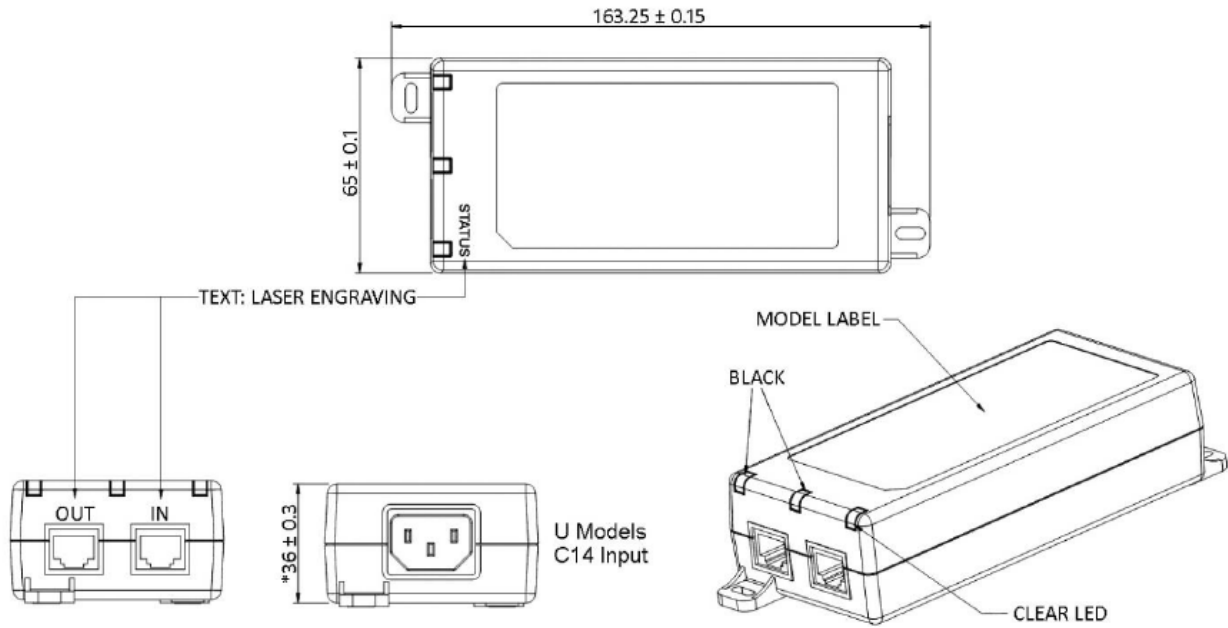
Ordering Information

Part Number	Designation
POE-SOURCE-60W-1G	POE Source, injection of 53V-57V over Ethernet line according to IEEE802.3bt, current 1.07A (60W). Giga eth. AC Power 230V

Specifications

Output	DC Output Voltage	56.0V
	Max Current	1.07A
	Output Power	60W @40°C; 30W @50°C
	Data Speed	1G
	Regulation	53-57VDC
	Ripple & Noise P-P(max) ³	200mV
Input	AC Input Voltage Range	90 to 264VAC
	AC Input Frequency	47 to 63Hz
	Input Current	0.2A (RMS) max for 90VAC, 1.2A (RMS) max for 240VAC
	In-rush Current	40A for 115VAC, max load; 80A for 230VAC, max load
	No Load Power Consumption at 115VAC & 230VAC Input	≤ 0.21W
	115VAC & 230VAC Average Efficiency ⁴	≥ 88%
	230VAC 10% Load Efficiency ⁴	≥ 79%
	Leakage Current	3.5mA max at 264VAC/50Hz
Protections	Over-Voltage	<120V
	Over-Current	Output #1 <650mA; Output #2 <650mA; Output #1 and #2 <1500mA
	Short Circuit	The output can be shorted permanently.
Environmental	Operating Temperature	-10°C to +60°C
	Non-Operating Temperature	-20° to +65°C
	Operating Humidity	5 to 90% RH max
Safety Approvals and EMC	Dielectric Withstand (HI-POT)	Primary to Secondary: 4242VDC for 1 min, 10mA Primary to Earth Ground: 2121VDC for 1 min, 10mA
	Insulation Resistance	Primary to Secondary: >10M ohm for 500VDC Primary to Earth Ground: >10M OHM 500VDC
	Standards	cULus 62368-1, IEC 62368-1, AS/NZS 62368.1, CCC, KC, PSB, NOM, BSMI ¹
	EMI Emissions	FCC Part 15 Class B, CAN ICES-003(B)/NMB-003(B), EN 55032/CISPR 32 Class B Conducted and Radiated
	Harmonic Current Emissions	IEC 61000-3-2
	Voltage Fluctuations & Flicker	IEC 61000-3-3
	Immunity	EN 55035/CISPR 35: IEC 61000-4-2 (Contact: ±4kV, Air: ±8kV), IEC 61000-4-3, IEC 61000-4-4, IEC 61000-4-5 (± 2kV), IEC 61000-4-6, IEC 61000-4-8, IEC 61000-4-11
Mechanical	Dimensions (L x W x H)	163.25mm (6.43in) x 65.0mm (2.56in) x 36.0mm (1.42in)
	Weight	500g
	Input Connector	IEC320 C14
	Output Connection	+pins 3, 4, 5, 6/ -pins 1, 2, 7, 8
	Data In/Output Connector	Shielded RJ45
	LED Indicators	Solid Green – Power good and output “ON” Blink Amber (short, slow) – Waiting for Valid Connection/Detection Blink Amber (long, fast) – Fault Condition (Over Current or Shorted) Blink Amber & Green – Detection is Invalid
Notes	<ol style="list-style-type: none"> BSMI on POE-SOURCE-60W-1G. The specifications defined are at ambient temperature of 25°C, unless otherwise specified. 20MHz bandwidth frequency oscilloscope, add a 0.1µF multilayer Cap. and Low ESR Electrolytic Cap. (10µF) at output connector terminals (nominal line voltage, full load). Efficiency is measured after 30 minutes burn-in. 	

Outline Drawing



C14 Line Cords - Sold Separately

CXR Ref.		7055140120	7055140104	7055140118
Specifications	Plug Type	North America NEMA 5-15P	Continental Europe CEE 7VIII	United Kingdom BS 1363
	Connector	IEC320 C13	IEC320 C13	IEC320 C13
	Wire Size	18 AWG	0.75mm	1.0mm
	Temperature	60°C	70°C	70 °C
	Amperage Rating	10A	6A	10A
	Voltage Rating	125V	250V	250V
	Cable Length	180cm	200cm	180cm
Safety Approvals		CSA; UL	CEBEC; DEMKO; DVE; FIMKO; GOST; IMQ; KE-MA; NEMKO; NF; OVE; SEMKO	BSI; Safety Mark
Photos		