



IX-PAN-16E1T1

CONVERSION PANELS

Description

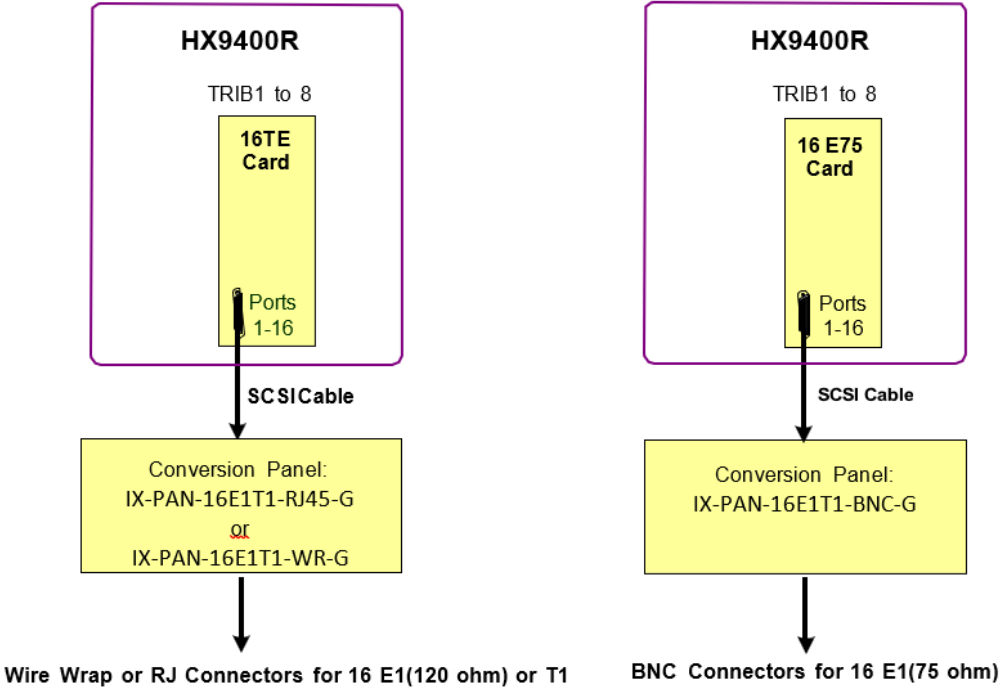
CXR offers conversion panels available to E1/T1 cards in HX9400R, HX9500R and PT7860A products.

The conversion panel is designed for one SCSI to 16 BNC, 16 RJ, or 16 Wire-Wrap interface conversion. Available for the use with high density E1/T1 cards in HX9400R, HX9500R, and PT7860A.




Conversion Panel Applications

One conversion panel supports up to sixteen ports. For 16E1/T1 cards, one conversion panel is required; for 32E1/T1 cards, two conversion panels are required; for 63E1/T1 cards, four conversion panels are required.

- (A) 16TE Converted to Wire Wrap/RJ Connectors
- (B) 16E75 Converted to BNC Connectors



Illustrations

Model	Description	Dimension (WxHxD)
 IX-PAN-16E1T1-RJ45-G	One SCSI to sixteen RJ (1u height) without cable	432x44x23mm
 IX-PAN-16E1T1-BNC-G ^{NOTE}	One SCSI to sixteen BNC (1.5u height) without cable	432x66x53mm
 IX-PAN-16E1T1-WR-G	One SCSI to sixteen Wire Wrap (1u height) without cable	432x44x40mm

NOTE: The conversion panels (excluding IX-PAN-16E1T1-BNC-G) work with 16TE modules of the above models.

Ordering Informations

Reference	Description
IX-PAN-16E1T1-RJ45-G	19" panel without SCSI cable for 16 E1/T1 RJ45 120ohms for HX9400R/S, HX9500R, IMX-MSTM4, PT7860. Add 1 CA-SCSI-M-2 cable
IX-PAN-16E1-BNC-G	19" panel without SCSI cable for 16 E1/T1 RJ45 120ohms for HX9400R/S, HX9500R, IMX-MSTM4, PT7860. Add 1 CA-SCSI-M-2 cable
IX-PAN-16E1T1-WR-G	19" panel without SCSI cable for 16 E1/T1 wire for HX9400R/S, HX9500R, IMX-MSTM4, PT7860. Add 1 CA-SCSI-M-2 cable



CXR
T +33 (0) 237 62 87 90
www.cxr.com

17 Rue de l'Ornette 28410 Abondant France
contact@cxr.com