

FOP-4/16/32FXO-4TTX

FOP-4/16/32FXS-4TTX

4/16/32x FXO/s FIBER OPTIC MULTIPLEXER



FLEXIBILITY

4/16/32x FXO or FXS
4x E1
4x 100Mbps
over Optical Fiber

LOW COST

Optimized design

TURN KEY

Fast
Deployment

REDUNDANCY

Dual
48 Vdc & 230Vac
Power Supplies

Introduction

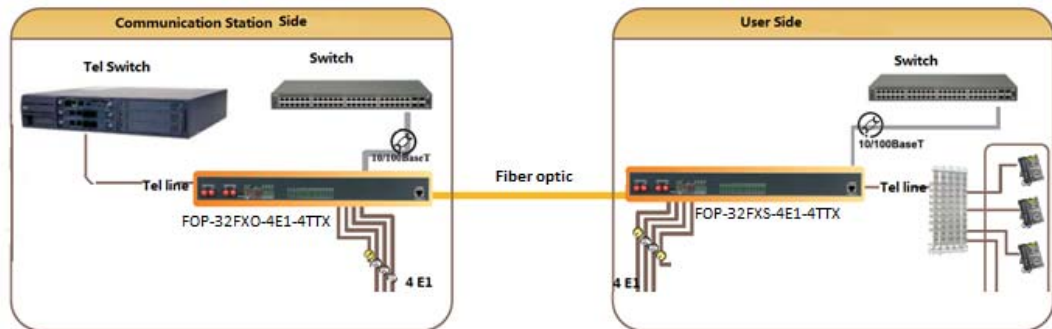
FOP-32FXO/s-4TTX products carry 4, 16 or 32 analog voice channels (FXO or FXS), four TDM E1 interfaces and four 10/100BaseT Ethernet interfaces over an optical fiber link. Analog voice interfaces are transferred into a 64K PCM trunk with CAS signaling and E1 TDM interfaces are transported in G.703 clear channel mode.

FOP-32FXO/s-4TTX products are equipped with an industrial optical transceiver that enables up to 40 km distances on a single-mode fiber link.

FOP-32FXO/s-4TTX products provide loop test features on the optical and E1 interfaces for best diagnostics and troubleshooting.

FOP-32FXO/s-4TTX products benefit an industry grade design in a robust metallic enclosure. They have one AC power input (4x FXO/FXS) or two redundant power supplies with one 110-230 Vac and one 48 Vdc power inputs.

Applications



FOP-32FXO/s-4TTX are aimed at serving many Voice and Ethernet applications

- Enterprises interconnection with Voice, E1 TDM and Ethernet / IP services over a single fiber optic link
- Flexible FXO to FXS or FXS to FXS (PLAR) voice connection
- Private Campus like interconnection over fiber optic
- Electricity Utility or Railway Substation interconnection over fiber cables

Specifications

Fiber Optic Interface	
Fiber optic	<ul style="list-style-type: none"> • SC connector • Single-mode 1310nm: $\geq -8\text{dBm}$ (40km) • Receiver $\leq -36\text{dBm}$
FXO/FXS Voice Interfaces	
FXO	<ul style="list-style-type: none"> • PCM 64K • RJ45 connectors • Ring detection : 35 ~ 90V • Ring frequency : 17 ~ 60Hz
FXS	<ul style="list-style-type: none"> • Ring voltage : 60 ~ 80V • Ring frequency : 17 ~ 60Hz • Loop resistance : 1KΩ
E1 TDM Interfaces	
E1	<ul style="list-style-type: none"> • G.703, 2.048 Mbps\pm50ppm • HDB3 • RJ45 120 Ohms
Ethernet Interfaces	
Ethernet	<ul style="list-style-type: none"> • RJ45 • 4x 10/100BT • Auto MDI/MDIX • IEEE 802.3

Other Characteristics	
Format	<ul style="list-style-type: none"> • 1U high metallic enclosure
Dimensions	<ul style="list-style-type: none"> • 4x FXO/FXS : 210 x 143 x 41 mm • 16/32xFXO/FXS : 430 x 203 x 44 mm
Weight	<ul style="list-style-type: none"> • 2.5 kg
Temperature	<ul style="list-style-type: none"> • 0 to +70°C (operating) • -40 to +85°C (stocking)
Hygrometry	<ul style="list-style-type: none"> • 5 to 95% HR
Power Supply	<ul style="list-style-type: none"> • 36-72 Vdc • 110-230Vac 50/60Hz • 1 or 2x power inputs AC + DC • Consumption 4x FXO/S = < 10 W • Consumption 16/32x FXO/S = < 30 W
MTBF	<ul style="list-style-type: none"> • 110.000 Hours
Administration	
Administration	<ul style="list-style-type: none"> • Web, CLI • Telnet, Snmp (v1,v2), http
Local interfaces	<ul style="list-style-type: none"> • 1x Ethernet • 1x RS232 console port for troubleshooting

Ordering Information

References	Fiber	Voice Ports	Ethernet 10/100BT	E1	48 Vdc Power input	110-230Vac Power input
FOP-4FXO-4TTX-SM40-A	SC	4 FXO	4	-	-	1
FOP-4FXS-4TTX-SM40-A	SC	4 FXS	4	-	-	1
FOP-16FXO-4TTX-SM40	SC	16 FXO	4	-	1	1
FOP-16FXS-4TTX-SM40	SC	16 FXS	4	-	1	1
FOP-32FXO-4TTX-SM40	SC	32 FXO	4	4	1	1
FOP-32FXS-4TTX-SM40	SC	32 FXS	4	4	1	1



CXR
T +33 (0) 237 62 87 90
www.cxr-networks.com

Rue de l'Ornette 28410 Abondant France
contact@cxr.com
www.cxr-wireless.com

Smart Solutions for Smart Networks

Information contained in this document are not contractual. CXR improves its products. Specifications are subject to change without notice.